

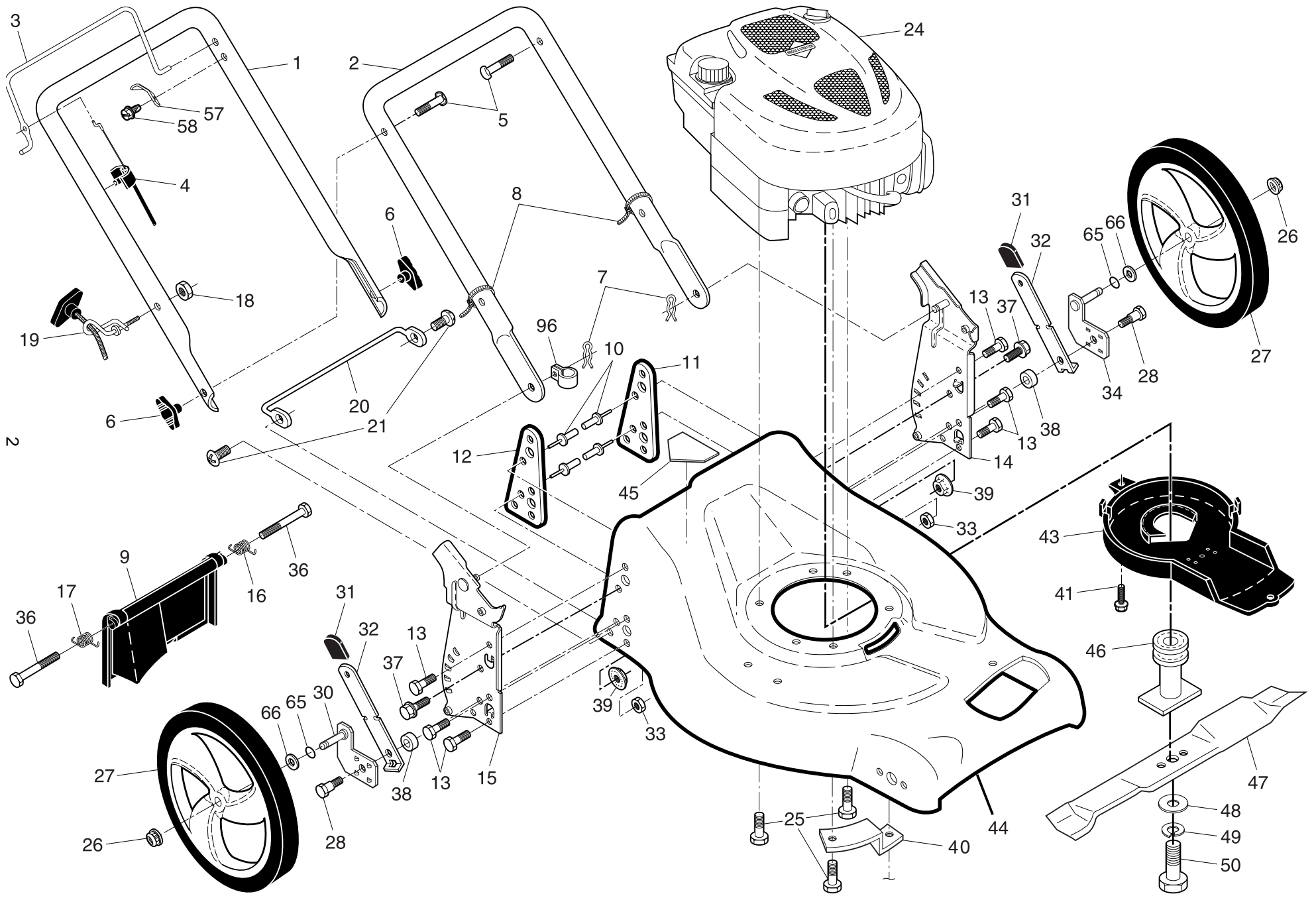
## ILLUSTRATED PARTS LIST

**MODEL NUMBER M5053CMD**

**PRODUCT NUMBER 961 41 01-57**

**MFG. ID. NUMBER 96141015700**

**ROTARY LAWN MOWER - - MODEL NUMBER M5053CMD (96141015700) PRODUCT NUMBER 961 41 01-57**



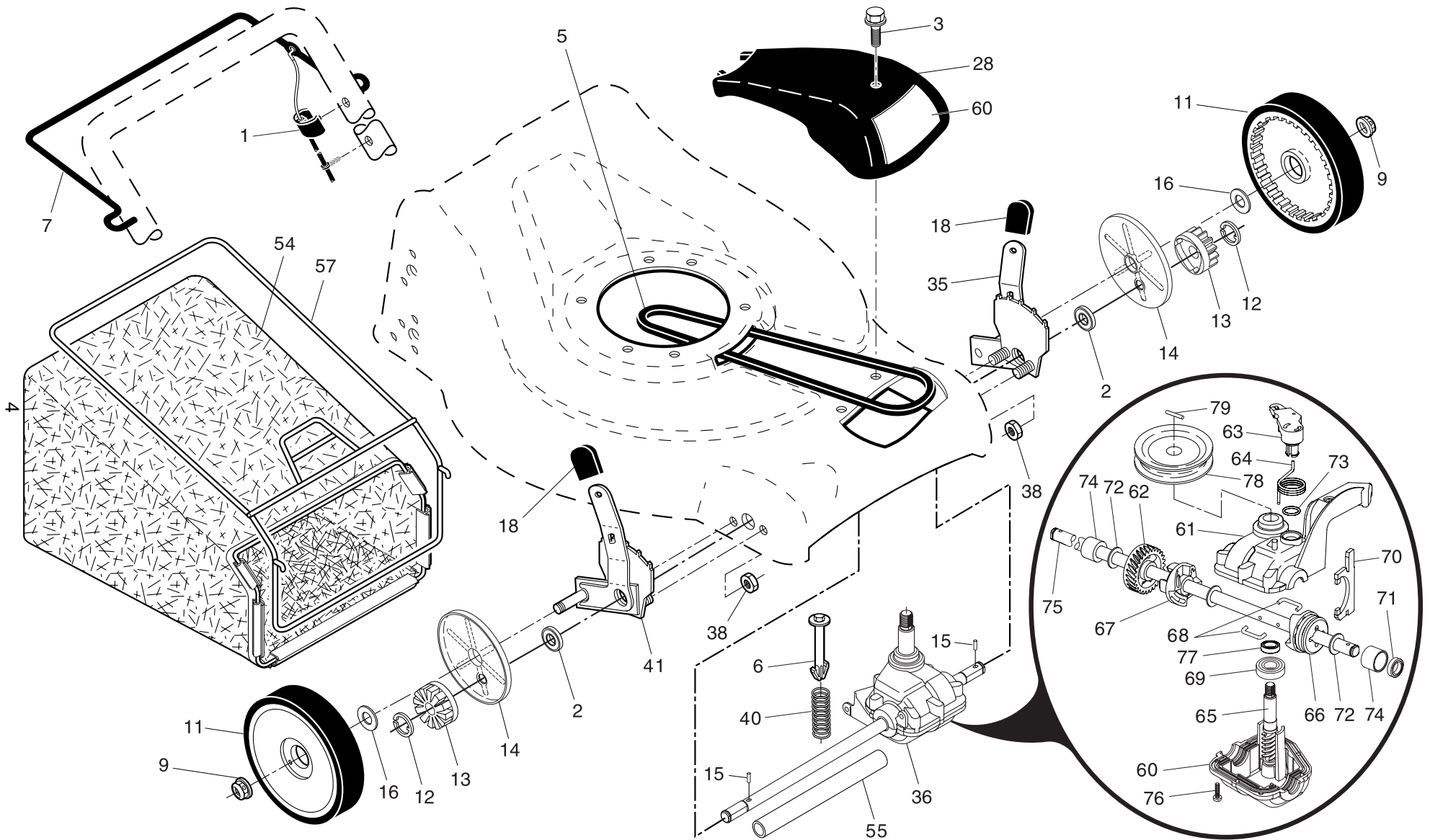
# ROTARY LAWN MOWER - - MODEL NUMBER M5053CMD (96141015700) PRODUCT NUMBER 961 41 01-57

KEY NO.	PART NO.	DESCRIPTION	KEY NO.	PART NO.	DESCRIPTION
1	532 19 84-59	Upper Handle	31	532 08 78-77	Selector Knob
2	532 15 36-05	Lower Handle	32	532 19 01-57	Selector Spring
3	532 19 84-64	Control Bar	33	873 80 05-00	Nut, Hex 5/16-18
4	532 18 35-67	Engine Zone Control Cable	34	532 40 25-72	Axle Arm Assembly, Rear, LH
5	532 19 15-74	Handle Bolt	36	532 18 41-93	Bolt
6	532 19 19-38	Handle Knob	37	874 78 05-12	Thread Cutting Screw w/Sems 5/16-18 x 3/4
7	532 05 17-93	Hairpin Cotter	38	819 11 22-06	Washer
8	532 06 64-26	Wire Tie	39	532 19 85-41	Nut, Hex, Flanged
9	532 40 69-85	Rear Door Assembly	40	532 19 09-39	Mounting Bracket, Debris Shield
10	532 12 84-15	Pop Rivet	41	532 19 23-25	Screw
11	532 41 05-40	Support Bracket, LH	43	532 40 58-45	Debris Shield
12	532 41 05-42	Support Bracket, RH	44	532 40 93-64	Kit, Lawn Mower Housing (Includes Key Numbers 10, 11, 12 and 45)
13	817 06 04-10	Screw 1/4-20 x 5/8	45	532 18 21-66	Danger Decal
14	532 18 25-43	Handle Bracket Assembly, LH	46	532 40 46-33	Blade Adapter
15	532 18 25-45	Handle Bracket Assembly, RH	47	532 19 93-77	Blade, 21"
16	532 40 54-17	Spring, Rear Door, LH	48	532 85 10-74	Hardened Washer
17	532 40 54-18	Spring, Rear Door, RH	49	532 85 02-63	Helical Washer 3/8-24 x 1-3/8 Grade 8
18	532 13 20-04	Keps Locknut 1/4-20	50	532 85 10-84	Hex Head Machine Screw 3/8-24 x 1-3/8 Grade 8
19	532 19 47-88	Rope Guide	57	532 12 51-62	Upstop Bracket
20	532 41 05-36	Foot Guard, C.E.	58	532 75 06-34	Screw
21	532 05 45-83	Screw, Tapping 1/4-20 x 1/2	65	532 19 74-80	O-Ring
24	- - -	Engine, Briggs & Stratton, Model Number 12F802 (order parts from engine manufacturer)	66	532 08 83-48	Washer, Flat 1/2
25	532 15 04-06	Hex Head Thread Rolling Screw 3/8-16 x 1-1/8	96	532 19 79-91	Clip, Cable
26	532 14 52-12	Hex Flange Nut	--	532 18 21-34	Decal, Warning, Internal, Self-Propelled (not shown)
27	532 40 29-35	Wheel & Tire Assembly, Rear, 12"	--	532 40 99-33	Operator's Manual, European
28	532 16 08-28	Shoulder Bolt 5/16-18 x .33	--	532 40 99-34	Operator's Manual, Scandinavian
30	532 40 25-71	Axle Arm Assembly, Rear, RH	--	532 40 99-36	Operator's Manual, Baltic

**NOTE:** All component dimensions given in U.S. inches. 1 inch = 25.4 mm

**IMPORTANT:** Use only Original Equipment Manufacturer (O.E.M.) replacement parts. Failure to do so could be hazardous, damage your lawn mower and void your warranty.

ROTARY LAWN MOWER - - MODEL NUMBER M5053CMD (96141015700) PRODUCT NUMBER 961 41 01-57



# ROTARY LAWN MOWER - - MODEL NUMBER M5053CMD (96141015700) PRODUCT NUMBER 961 41 01-57

KEY NO.	PART NO.	DESCRIPTION	KEY NO.	PART NO.	DESCRIPTION
1	532 19 46-53	Drive Control Assembly (Includes Cable)	55	532 17 57-39	Driveshaft Cover
2	532 19 10-39	Bearing, Wheel Adjuster	57	532 40 18-02	Frame, Grassbag
3	532 17 52-62	Pan Head Tapping Screw #10-24 x 2-3/4	60	532 41 04-91	Decal, Drive Cover
5	532 17 54-36	V-Belt	61	532 18 34-97 *	Case, Lower
6	532 15 04-95	Retainer, Spring	62	532 18 34-98 *	Case, Upper
7	532 19 84-53	Control Bar, Drive	63	532 18 34-99	Gear, 27 Teeth
9	532 08 39-23	Locknut, Hex	64	532 18 35-00	Lever, Clutch
11	532 40 29-36	Wheel & Tire Assembly	65	532 18 35-01	Spring, Return
12	812 00 00-58	E-Ring	66	532 18 35-02	Shaft, Input
13	532 40 38-49	Pinion	67	532 18 35-03	Dog, Movable
14	532 18 94-03	Dust Cover	68	532 18 35-04	Dog, Fixed
15	532 19 10-17	Pawl, Drive	69	532 18 35-05	Wire, Formed
16	532 06 77-25	Washer 1/2 x 1-1/2 x .134	70	532 18 35-06	Bearing, Ball
18	532 08 78-77	Selector Knob	71	532 18 35-07	Fork, Shift
28	532 18 14-68	Drive Cover	72	532 18 35-08	Seal, Output Shaft
35	532 40 90-97	Kit, Wheel Adjuster, LH (Includes Knob and Bearing)	73	532 18 35-09	Washer
36	532 19 92-05	Gearcase Assembly, Complete	74	532 18 35-10	Seal, Case
38	873 80 04-00	Locknut, Hex 1/4-20	75	532 18 35-11	Bushing
40	532 13 70-90	Spring	76	532 19 66-13	Shaft, Output
41	532 40 90-98	Kit, Wheel Adjuster, RH (Includes Knob and Bearing)	77	532 18 35-13	Screw
54	532 40 19-05	Grassbag Assembly	78	532 18 35-14	Seal, Input Shaft
			78	532 19 98-52	Pulley, Drive
			79	532 19 94-19	Pin, Retaining

\* Use Dow Corning #709 to reseal Gear Case Halves.

**NOTE:** All component dimensions given in U.S. inches. 1 inch = 25.4 mm

**IMPORTANT:** Use only Original Equipment Manufacturer (O.E.M.) replacement parts. Failure to do so could be hazardous, damage your lawn mower and void your warranty.